

GENERAL CHARACTERISTICS



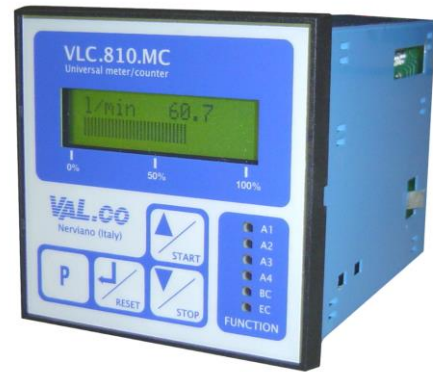
The **Universal counter VLC.810.MC** combines, in a single unit, all functions of the signal processor VLC.602.M with an advanced section of counting, specially designed for the sensors with frequency output.

The instrument can perform counts and measurements of the flow rates at the same time.

The standard input signals of this universal processor are 0-5V, 0-10V, 0-20mA, 4-20mA, Potentiometric 500 to 20K Ω , pulses and frequency for batch counts.

And it is possible to represent on the display two simultaneous indications, both digital and analog (bar-graph) expressed in the most common engineering units.

The measured value can be transmitted to remote data acquisition systems and it is also possible the linearization of signals from sensors with a non-linear transfer function. All programming parameters can be set via the front keyboard and are stored in a nonvolatile memory to avoid the loss of data.



- LCD display with back light.
- Programmable measuring units and range.
- Frequency and pulses input.
- Input/output signals: (0)4 ÷ 20mA , 0 ÷ 5V, 0 ÷ 10V
- Up to 6 alarm thresholds with LED indication

GENERAL TECHNICAL DATA

Tab.1

Description	Technical data	Code
Power supply	230 / 24 Vac ($\pm 10\%$) / 50/60 Hz	230/24VAC
	24 Vdc	On request 24VDC
Power consumption	10 VA	-
Housing	Epoxy painted metal plate – shielded against electromagnetic fields	-
Temperature range	-20°C / +50°C	-
Degree of protection	IP40	-
Mounting	Front panel	-
Weight	650g	-

BATCH COUNTER MODE

Tab.2

Description	Technical data	Code
Signal input	Frequency 0,1 – 30KHz Pulses 0 – 2.000 Pulses / sec.	-
Signal output	0÷5V 0÷10V 0÷20mA 4÷20mA	-
Power supply to sensors	5 / 24 Vdc stabilized - 50mA	-
LCD display	Flow / Events Flow / Batch Events / Batch Flow Batch Events	-
	Digital – Up to 2 engineering units	-
Measuring units	ml cl l m ³ cc/min l/min l/h m ³ /h n° events	-
Maximum count	Batch counter 0 – 999.999	-
	Events counter 0 – 999.999	-
Divider	1 – 99.999	-
Counting mode	Programmable up or down	-
Standard digital output	2 x SPDT 230Vac 6A 1 for batch counter - 1 for events counter	-
Alarm relays	2A SPDT relay 230Vac 6A Alarm threshold for flow rate measurements	2A
	4A SPDT relay 230Vac 6A	On request 4A
Functions indicator	Red LED	-
Alarm adjustment	Adjustable within entire measuring range	-
Alarm hysteresis	Independents and adjustable within entire measuring range	-
Reset	Auto or manual Independents for batch and events counter	-
Reset delay (Auto mode)	0,1 – 99,9 sec. Batch counter \geq events counter	-
Counter commands	From front keyboard and / or from rear terminal board	-
External commands	Start–Stop–Reset Monostable / bistable	-
Safety	Keyboard lock Safe-stop function	-

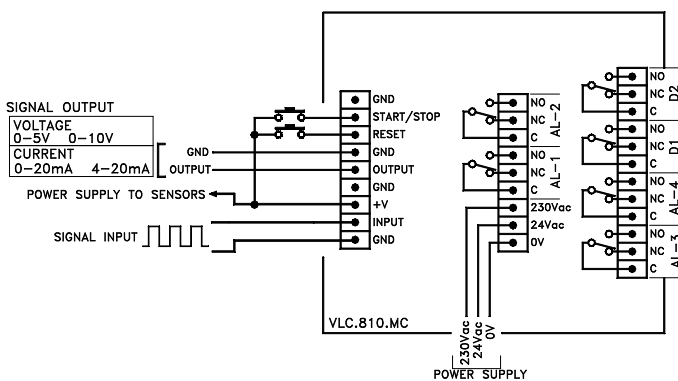
UNIVERSAL PROCESSOR MODE

Tab.3

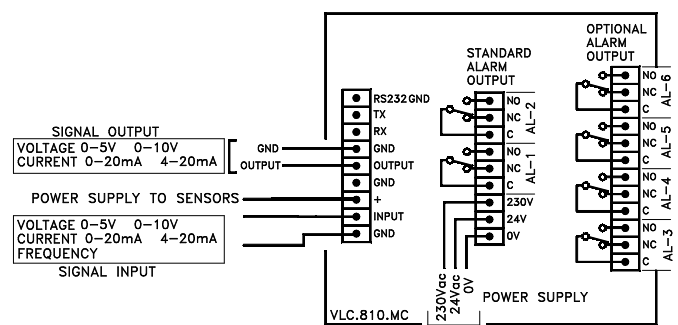
Description	Technical data										Code
Signal input	Potentiometric (500Ω ÷ 20KΩ), 0 ÷ 5V, 0 ÷ 10V, (0)4 ÷ 20mA, Frequency (0,1 ÷ 30KHz)										-
Signal output	0÷5V, 0÷10V, 0÷20mA, 4÷20mA										-
Power supply to sensors	5 / 24 Vdc stabilized - 50mA										-
LCD display	Digital - Analog (bar-graph) 0 ÷ 100%										-
Measuring units	l	cm ³	m ³	%	Pa	Kpa	mmH ₂ O	mbar	bar	-	-
	°C	°F	cc/min	l/min	l/h	m ³ /h	m/sec	mm	cm	m	
Alarm relays	N. 2 SPDT relay 230Vac 6A										2A
	N. 4 SPDT relay 230Vac 6A										On request
	N. 6 SPDT relay 230Vac 6A										On request
Alarm indication	Red LED										-
Alarm adjustment	Adjustable within entire measuring range										-
Alarm hysteresis	Independents and adjustable within entire measuring range										-
Communication output	RS-232-C ANSI standard communication protocol										On request
											RS-232

WIRING

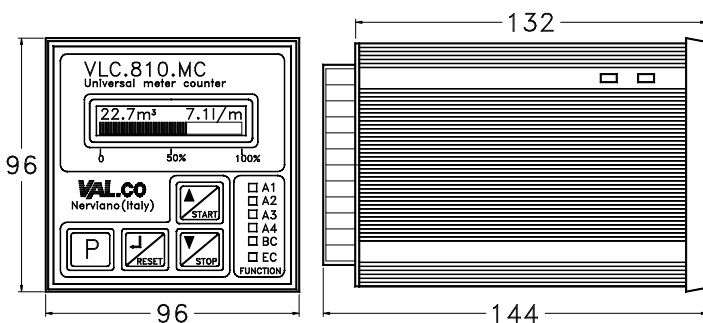
BATCH COUNTER MODE



UNIVERSAL PROCESSOR MODE



DIMENSIONS mm.



NOMENCLATURE

VLC.810. MC	2A	230/24CA	RS232	Type
•				Tab.1
	•			Tab.1
		•		Tab.1
			•	Tab.1